

miALERT Beacon Common Area Solution

MODEL: *miALERT Beacon*

PART NUMBER: *9042002*

miALERT Beacon Technical Data

miALERT Beacon is the perfect solution for covering facility common areas that require wireless coverage. Designed to interface with up to 256 assignable wireless devices which can trigger local input and output controls and also send notifications to the miLINK EMS (Event Management Server).

It is designed to be mounted in corridors or common area ceilings. Simple T-Bar installation and a daisy chain ethernet and power strategy serves as a cost effective solution.

Key Features

- Wired and wireless options
- Supports up to 256 wireless assignable call points
- Standalone or integrated with EMS
- Two integrated relays for door striker or signal alarm application
- Audible annunciator included

Key Benefits

- Wireless peripherals include pendants, pull cords, water sensors, temperature sensors, motion sensors, smoke detectors, and dry contacts
- The miALERT Beacon can be configured in many ways for maximum flexibility
- Alerts via email, SMS, or JSON
- Integrates with our miLINK Event Management Server

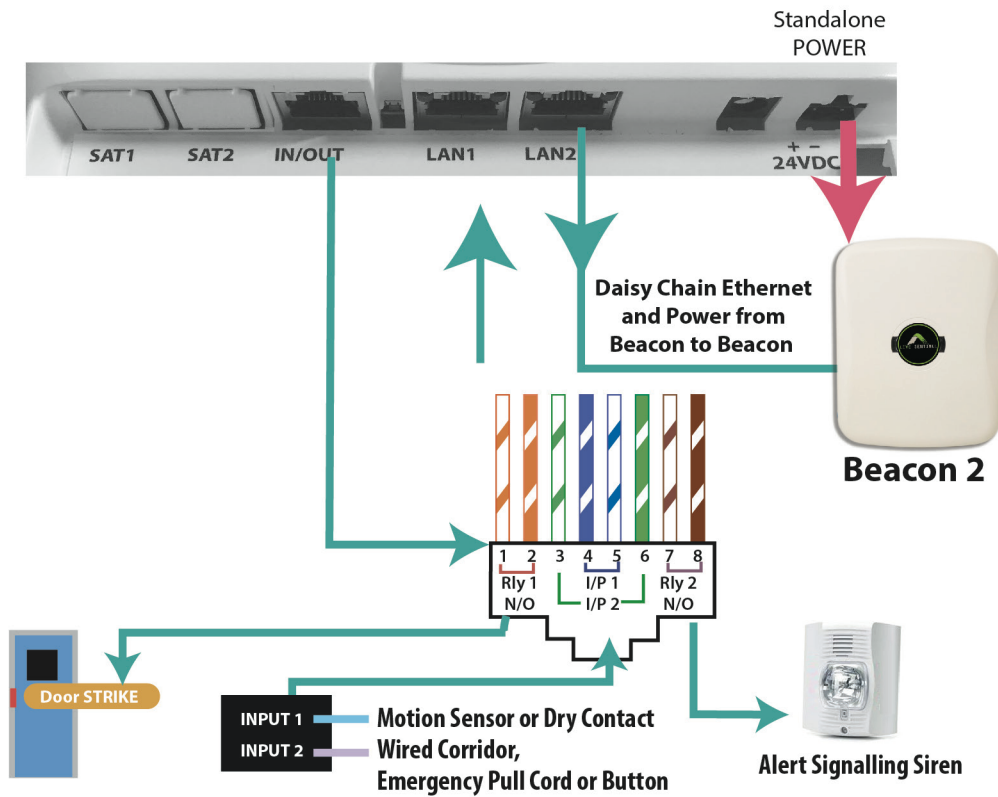
miALERT

4100 East Baldwin Road, Holly, Michigan, 48442 USA
27 Armthorpe Road, Brampton, ON, L6T 5M4 Canada

Call TOLL FREE 1-855-382-8999

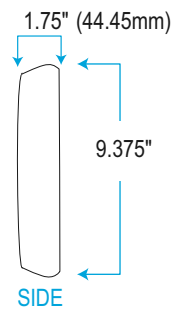
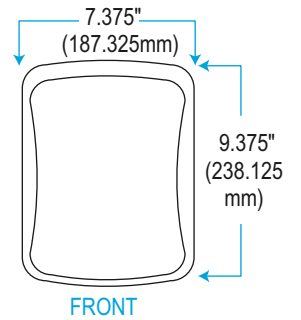
sales@miALERT.com
miALERT.com

miALERT Beacon Technical Specifications

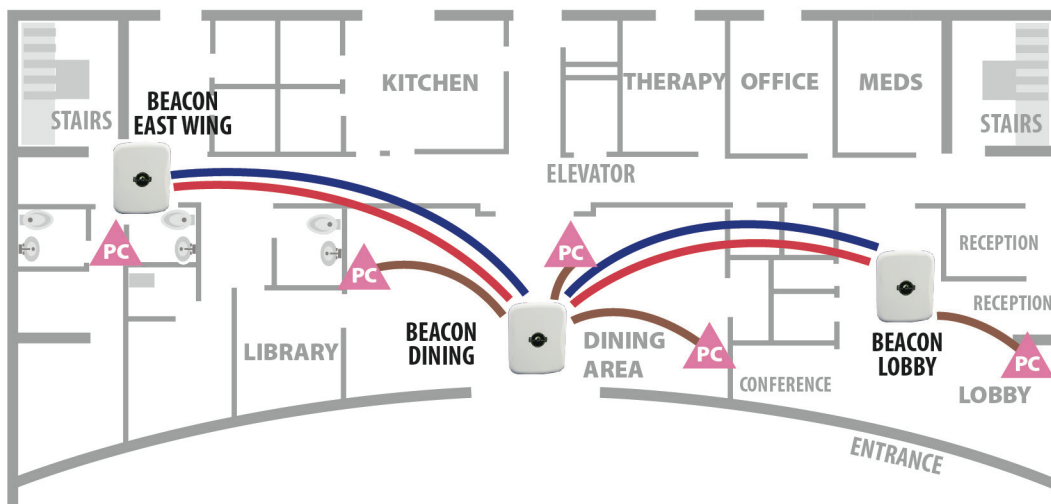


Physical Specifications

24V DC .3amp



miALERT Beacon Common Area Wiring



WIRING:

- DATA - CAT5e
- PWR - 16AWG x2
- ROOM - 24AWG ANY

LEGEND

- RC ROOM CONTROLLER
- PE PENDANT
- BS BED STATION
- PC PULL CORD
- SD SMOKE DETECTOR
- WS WATER SENSOR

miALERT

Call TOLL FREE 1-855-382-8999

4100 East Baldwin Road, Holly, Michigan, 48442 USA
27 Armthorpe Road, Brampton, ON, L6T 5M4 Canada

sales@miALERT.com
miALERT.com