

Beacons contain an antennae or energizer that beams out a frequency to wake the Pendant when it comes into its proximity

miPOSITION Beacon

Satellites can also be connected to the miPOSITION Beacon to extend its range and further isolate the position of the Pendant

miPOSITION Satellites

miPOSITION Wander Management Solution

MODEL: miPOSITION Beacon

PART NUMBER: 9061001

MODEL: miPOSITION Beacon Kit

PART NUMBER: 9061002

MODEL: miPOSITION Satellite

PART NUMBER: 9061003

miPOSITION Beacon Technical Data

miPOSITION Beacon is the perfect solution for wander management and resident positioning. Keep track of residents in common areas by invisibly checking them into areas. No more false identification between floors and adjacent areas, miPOSITION Pendants always update and transmit the last area it checked into in the event of an emergency.

Designed to interface with up to 256 assignable wireless devices which can trigger local input & output controls and also send notifications to the miLINK EMS (Event Management Server).

It is designed to be mounted in corridors or common area ceilings. Simple T-Bar installation and a daisy chain ethernet and power strategy serves as a cost effective solution.

Key Features

- Wander management and resident positioning
- Wired and wireless options
- Supports up to 256 wireless assignable call points
- Standalone or integrated with EMS
- Two integrated relays for door striker or signal alarm application
- Audible annunciator included

Key Benefits

- Wireless peripherals include pendants, pull cords, water sensors, temperature sensors, motion sensors, smoke detectors, and dry contacts.
- The miPOSITION Beacon can be configured in many ways for maximum flexibility.
- Alerts via email, SMS, or JSON
- Integrates with our miLINK Event Management Server

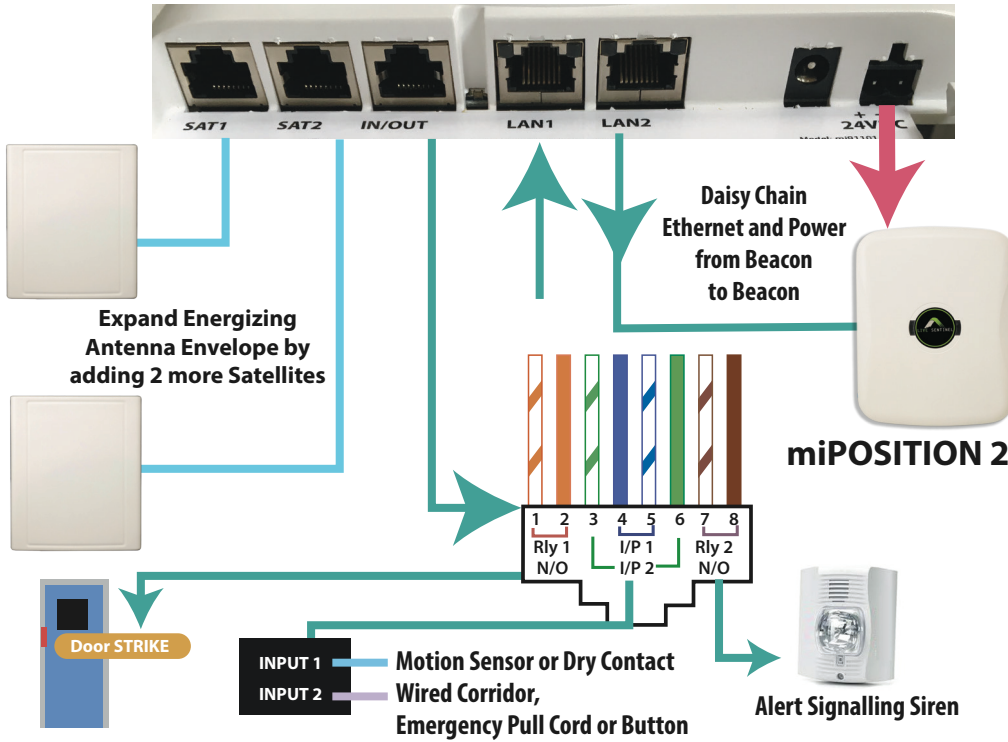
miALERT

Call TOLL FREE 1-855-382-8999

4100 East Baldwin Road, Holly, Michigan, 48442 USA
27 Armthorpe Road, Brampton, ON, L6T 5M4 Canada

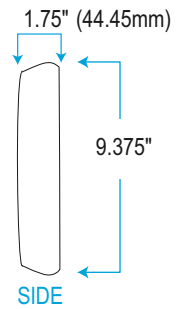
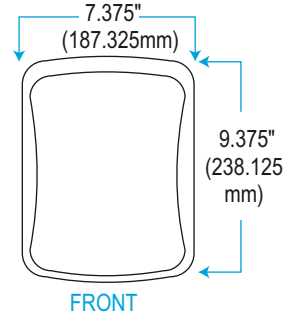
sales@miALERT.com
miALERT.com

miALERT Beacon Technical Specifications

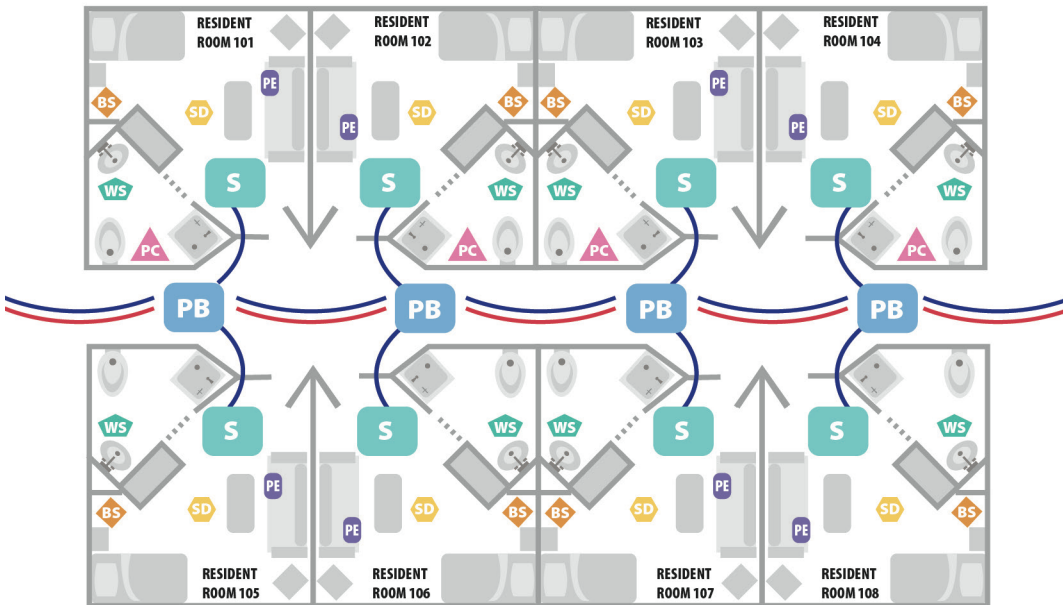


Physical Specifications

24V DC .3amp



miPOSITION Beacon Wiring



WIRING:

- DATA - CAT5e
- PWR - 16 AWG x2
- ROOM - 24 AWG ANY

LEGEND

- DL ROOM CONTROLLER
- PE PENDANT
- BS BED STATION
- PC PULL CORD
- SD SMOKE DETECTOR
- WS WATER SENSOR

miALERT

Call TOLL FREE 1-855-382-8999

4100 East Baldwin Road, Holly, Michigan, 48442 USA
 27 Armthorpe Road, Brampton, ON, L6T 5M4 Canada

sales@miALERT.com
 miALERT.com