

miROOM CONTROLLER SMART IP

Room controller controls all room activity. All wireless and wired emergency controls can interface to embedded IP circuitry

BED STATIONS & PULL CORDS

Both wired and wireless pull cords can be integrated into the system to identify emergency

PENDANTS & WIRELESS DEVICES

Allows the residents to signal for help when not near a pull cord



Wired & Wireless miROOM Nurse Call Solution

MODEL: miROOM Controller Wireless

PART NUMBER: 9042001

MODEL: miROOM Controller Wired

PART NUMBER: 9041001

miRoom Controller Technical Data

Provides a flexible and cost efficient wired and wireless Nurse Call System that is fully scalable. Recommended installation is two rooms per controller, but you can also choose to install one controller per four rooms. The miROOM Controller provides the capability to send alerts back to the nursing console and also enables caregivers to communicate more efficiently with each other as well.

All the necessary circuitry is built into the miROOM Controller, making installation even easier. The pull cords can be wired or wireless depending upon the environment. Patient stations can also be connected to each miROOM Controller to support up to four beds in a room.

Key Features

- Wired and wireless options
- Supports up to four patient stations per room
- Standalone or integrated with EMS
- Integrated relay port for door striker
- Supports 10 inputs & 4 TTL outputs and 1 relay output
- Audible annunciator included

Key Benefits

- Wireless peripherals include pendants, pull cords, water sensors, temperature sensors, motion sensors, smoke detectors, and dry contacts
- The miROOM Controller can be configured in many ways for maximum flexibility
- Alerts via email, SMS, or JSON
- Integrates with our miLINK Event Management Server for escalation, notifications, and reporting

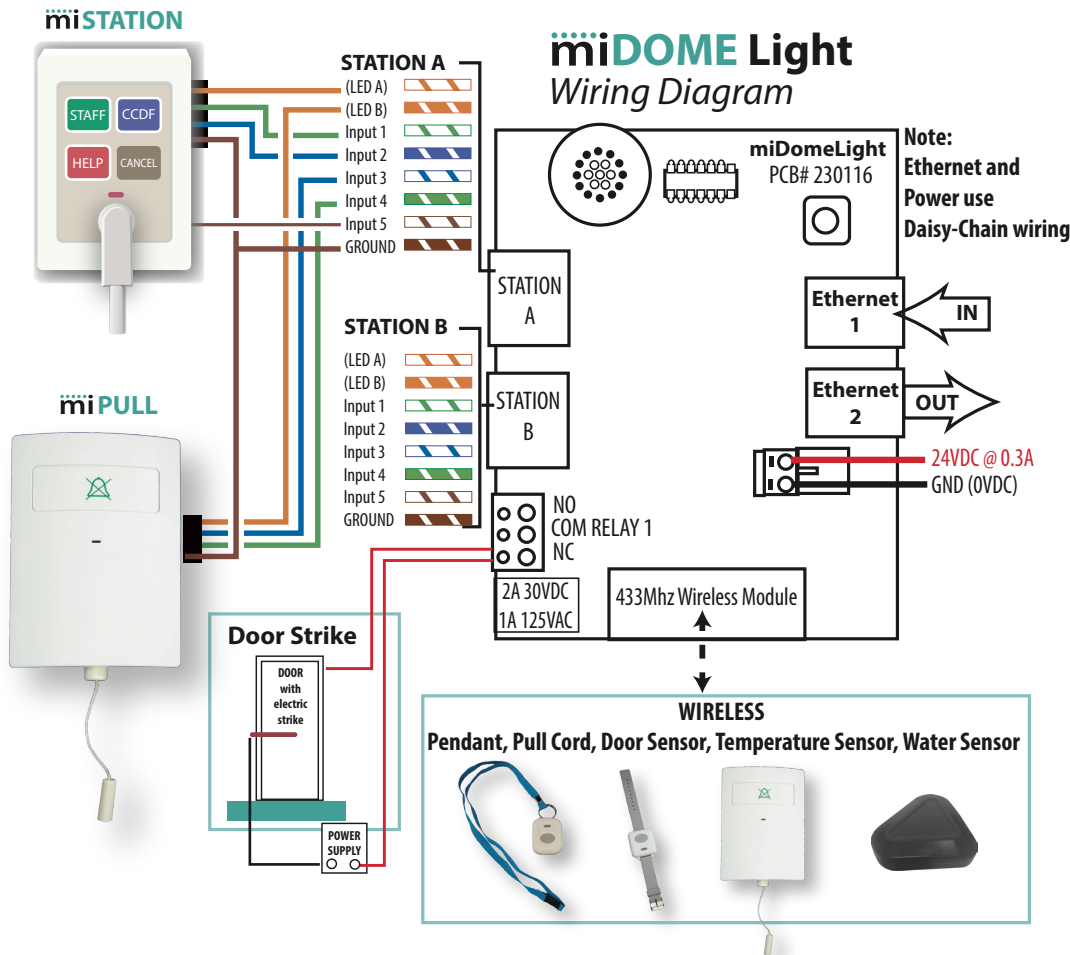
miALERT

Call TOLL FREE 1-855-382-8999

4100 East Baldwin Road, Holly, Michigan, 48442 USA
27 Armthorpe Road, Brampton, ON, L6T 5M4 Canada

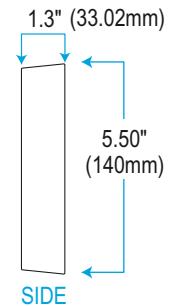
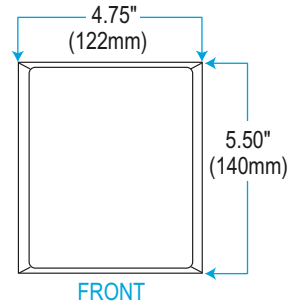
sales@miALERT.com
miALERT.com

miROOM Wiring & Technical Specifications

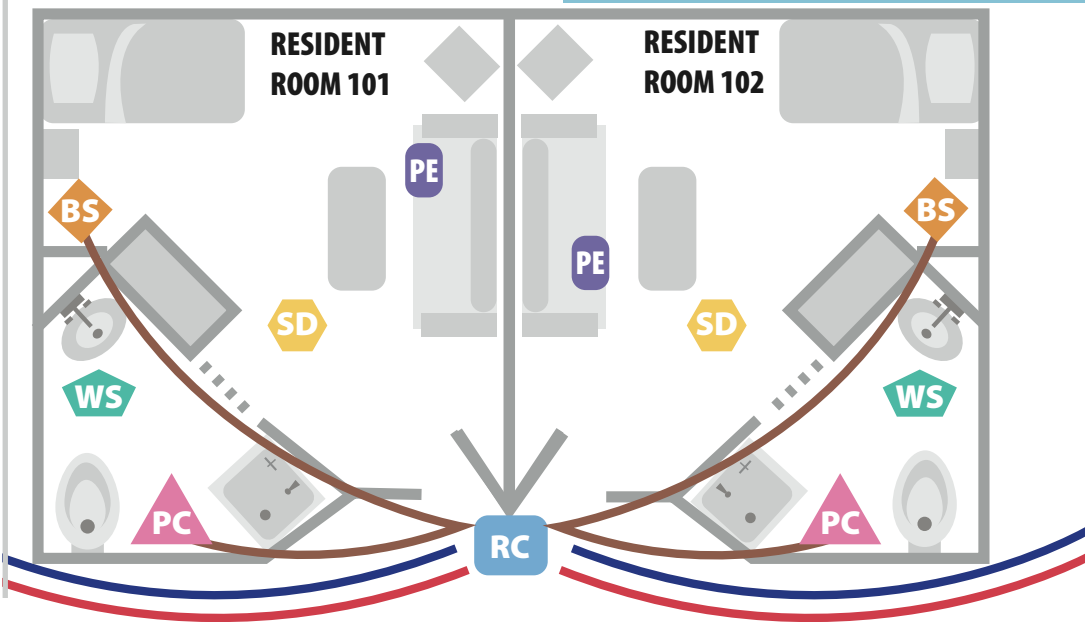


Physical Specifications

24V DC .3amp



miROOM Wiring



WIRING:

- DATA - CAT5e** (Blue line)
- PWR - 16AWG x2** (Red line)
- ROOM - 24AWG ANY** (Brown line)

LEGEND

- RC** ROOM CONTROLLER
- PE** PENDANT
- BS** BED STATION
- PC** PULL CORD
- SD** SMOKE DETECTOR
- WS** WATER SENSOR

miALERT

Call TOLL FREE 1-855-382-8999

4100 East Baldwin Road, Holly, Michigan, 48442 USA
27 Armthorpe Road, Brampton, ON, L6T 5M4 Canada

sales@miALERT.com
miALERT.com